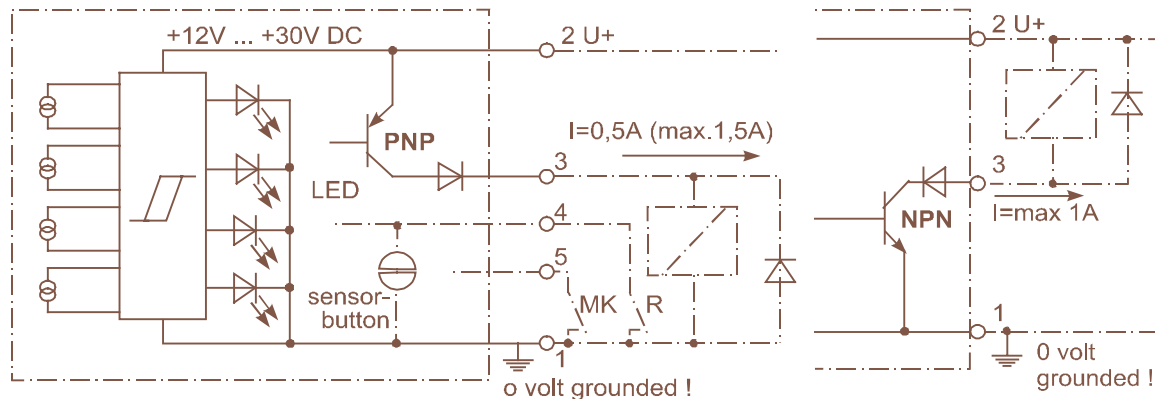
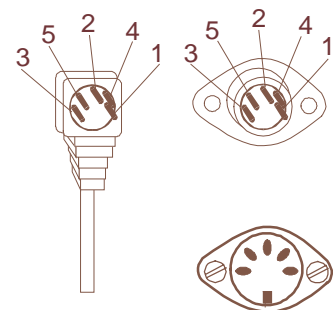


Connection Diagram SENSOSTOP[®] 3+4-fold Yarn Stop Motion Switch with Sensor Button - Output switched PNP (positive) or NPN (negative) -



Pinning:

- Pin 1 *brown* 0 V (grounded!)
- Pin 2 *white* U+ : +12V...+30V DC
- PIN 3 *green* Output ; switching at yarn break (stopped yarn)
- PIN 4 *yellow* R = external connection for reset
(switched against 0V)
- PIN 5 *grey* MK (machine contact), output passive if MK is closed!
(switched against 0V)



Connection: round cable 300 or 1300 mm long with 5-pole stereo plug.

Red LED:

Every yarn has a red LED allocated for status indication.

- | | |
|--|--|
| [A] running yarn | ⇒ red LED off |
| [B] yarn break or stopped yarn | ⇒ red LED on |
| [C] power-on delay is active or sensor button touched | ⇒ 8 times slow blinking of the red LED |
| [D] turn-on delay [C] is over, sensor at stand-by for detecting the running yarn | ⇒ fast blinking of the red LED |

Green LED and switched-output:

The sensor has a common output for all positions.

As long as at least one position indicates yarn break ([B] red permanent burning light) output is active. At dynamic output this is active for about 1 sec. only and will be passive again until new yarn break. The green LED always indicates the status of the sensor (green LED = no yarn break).

Sensor Button:

By touching the sensor button all positions are deactivated = switched off.

After turn-on delay is over ([D], fast blinking of the red LEDs) every single position can be activated again by running yarn.

If for example 2 of the 4 positions are used only, the uncovered positions can be switched-off with the sensor button.

4FW_01GB / 9907

OTTO STÜBER GMBH & CO. KG

D - 73266 Bissingen/Teck • Germany
Pfarrstrasse 23 • POB 52
Telefon +49 (0) 70 23 / 95 02 - 0
Telefax +49 (0) 70 23 / 95 02 - 33

STÜBER

<http://www.stuber.de> • email: info@stuber.de